

XUAH0515/ XUAH0515S
Type M8

- Amplifier integrated
- Compact design
- Housing stainless steel
- High range



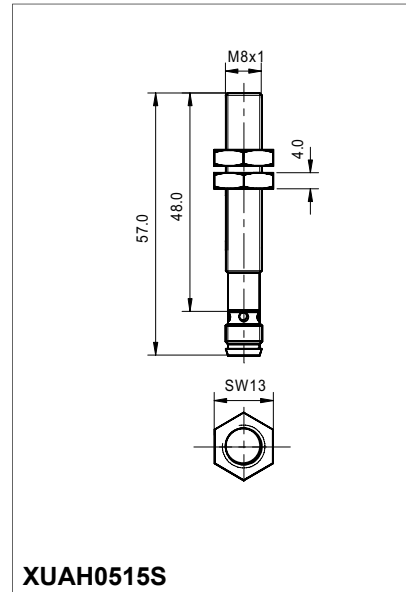
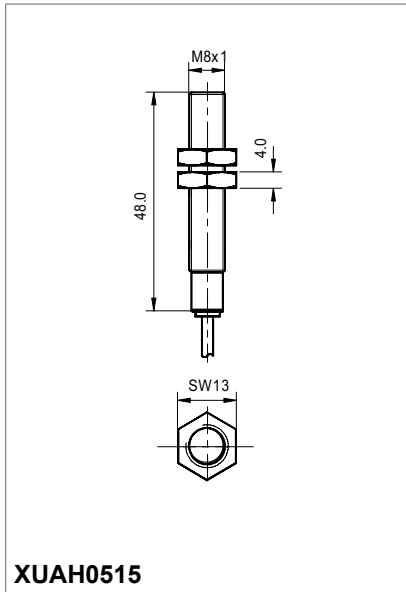
	XUAH0515	XUAH0515S
Illuminant	Infrared	
Function principle	clocked	
Cut-off frequency	500Hz	
Function display	LED red	
Switching mode	light switching	
Operating voltage	12...24 VDC reverse polarity protection	
Power consumption	30mA	
Output current	PNP 100mA short-circuit proof	
Nominal detecting range*	5mm...50mm	
Hysteresys	<15%	
Switch-on delay	<1,5ms	
Temperature range	-10°C...+55°C	
Housing	Stainless steel	
Weight	25g	10g
Protection class	IP65	
Connection type	2m PUR-cable 3x0,09	M8, 3-pin
Adjustment	LED flashing 2Hz	LED flashing 2Hz
Short-circuit display	LED flashing 8Hz	LED flashing 8Hz

*on white fotopaper 50mm x 50mm

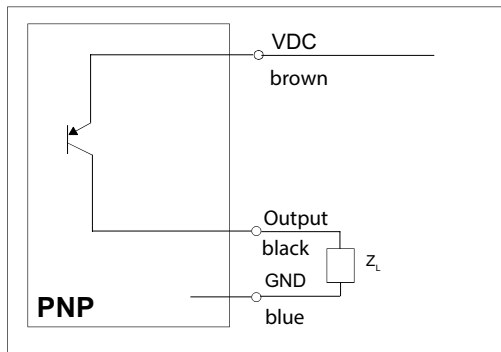
XUAH0515/ XUAH0515S
Type M8

 www.worldofsensors.com

Dimensions in mm



Connection diagramm

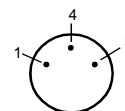


Pin configuration

XUAH0515

brown + VDC
blue - GND
black Signal output

XUAH0515S



1 (brown) VDC
4 (black) Output
3 (blue) GND

(Cable not included!)

Types

XUAH0515	clocked light switching PNP-output	Art-Nr. 12074
XUAH0515S	clocked light switching PNP-output	Art-Nr. 12075